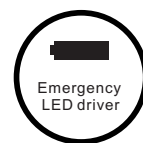




**HONGYAO Lighting**

# Specification Sheet

**LED SLIM DOWNLIGHT  
(Bottom Glow)**



**Zhejiang Hongyao Lighting Electrical Co., Ltd**

No.209 Shennan Rd. Da Yang Jie Dao, Linhai City. Zhejiang China 317000 [www.chongyao.com](http://www.chongyao.com)  
Trading@chongyao.com Tel: +86 576-85381918 Fax:+86 576-85381913



### SPECIFICATIONS

#### FEATURE

- The ultra slim LED downlights/surface mini panel comes with separate steel encased LED driver with watertight seal
- 1" Thin: Fits in Tight Ceiling Space.
- Airtight & Type IC Rated: No housing Required
- Snap-in mounting springs and easy wiring access for fast & easy Installation: Save labor cost.
- Junction Box Included: No additional hardware required.
- Damp location rated and dimmable with approved dimmers
- Body: Durable, die cast aluminum alloy for optimal heat dissipation
- White, Nickel or Black for choice--Scratch resistant and smooth finish

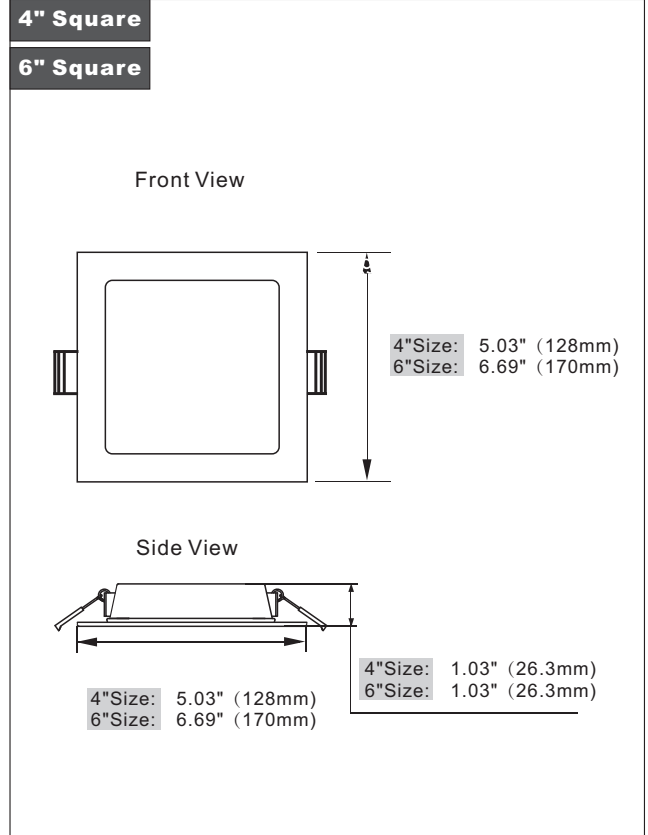
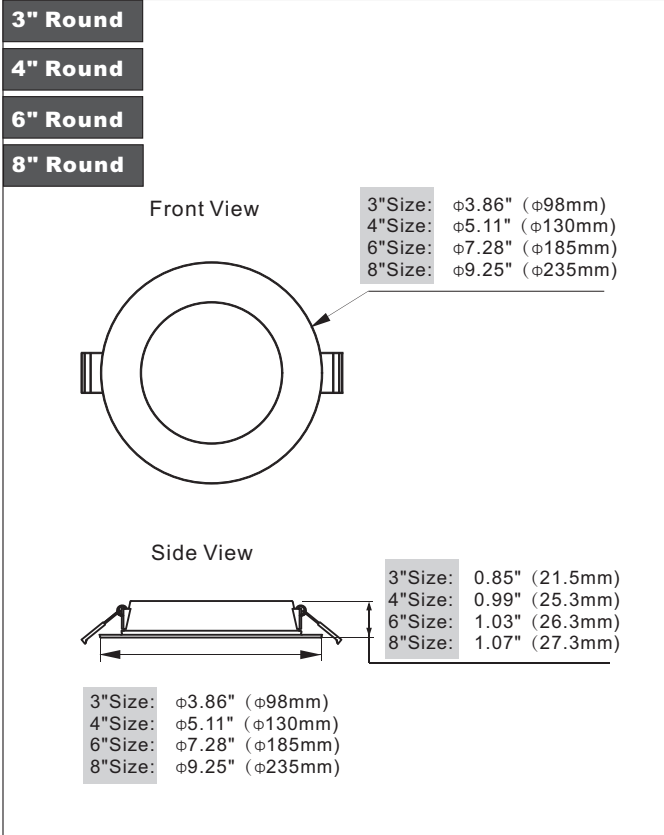
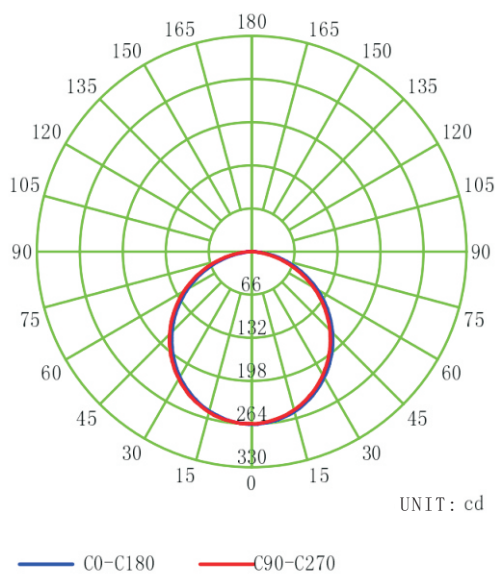
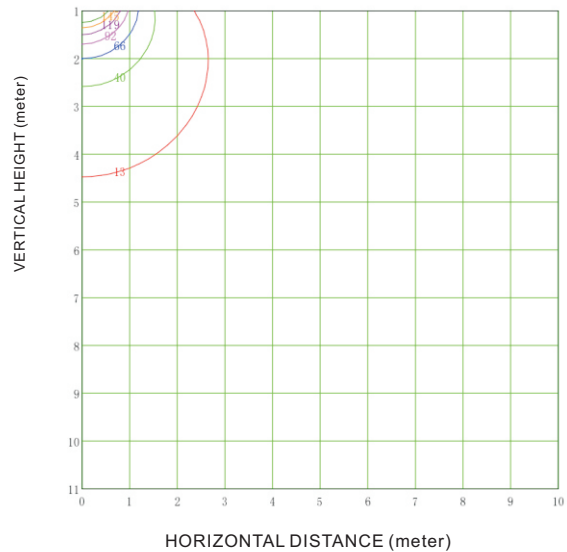


#### APPLICATION

- Commercial; Residential; hospitality

#### SPECIFICATIONS

Model No.	HY-SDL-R3-6W-5CCT	HY-SDL-R4-9W-5CCT	HY-SDL-S4-9W-5CCT	HY-SDL-R6-12W-5CCT	HY-SDL-S6-12W-5CCT	HY-SDL-R8-18W-5CCT
Size:	3" Round	4" Round	4" Square	6" Round	6" Square	8" Round
Power:	6W	9W		12W		18W
Input Voltage:	120V AC					120-277V AC
Frequency:	60Hz					50Hz/60Hz
Dimming	Triac dimmable					0-10V Dimmable
Lumens	440LM	659LM	597LM	959LM	883LM	1487LM
Protection Rating	Ip20 (For Indoor Use Only)					
Beam Angle	120°					
CCT:	5CCT (2700K/3000K/3500K/4000K/5000K) Tunable					
CRI:	>80					
Working Life:	Lumen Maintenance over 70% @ 36000+ Hours					
Oper.	-13°F ~+113°F / -25°C ~+45°C					
Certification	ETL					

**PRODUCT DIMENSIONS**

**PHOTOMETRIC REPORT**
**9W 4" Round LED Ultra Slim Downlight**
**LUMINOUS INTENSITY DISTRIBUTION DIAGRAM**

**VERTICAL EQUILUMINOUS CURVE**




### ORDERING GUIDE

Package Information						
Model No.	HY-SDL-R3-6W-5CCT	HY-SDL-R4-9W-5CCT	HY-SDL-S4-9W-5CCT	HY-SDL-R6-12W-5CCT	HY-SDL-S6-12W-5CCT	HY-SDL-R8-18W-5CCT
Size	3" Round	4" Round	4" Square	6" Round	6" Square	8" Round
Qty/Pack	20 PCS	20 PCS	20 PCS	20 PCS	20 PCS	10 PCS
Package Size	395X265X240mm	395X315X290mm	395X315X290mm	395X415X400mm	395X385X370mm	520X400X260mm
	15.55"X10.4"X9.4"	15.55"X12.4"X11.4"	15.55"X12.4"X11.4"	15.55"X16.34"X15.75"	15.55"X15.15"X14.57"	20.47"X15.75"X10.23"
Package Weight	6.5 kg/14.3 lbs	7.3 kg/16.1 lbs	7.4 kg/16.3 lbs	9.5 kg/21 lbs	9.3 kg/20.5 lbs	6.4 kg/14.11 lbs
Package CBM	0.025122	0.036083	0.036083	0.06557	0.056268	0.05408
40GP Capacity	~46170 PCS	~32140 PCS	~32140 PCS	~17690 PCS	~20610 PCS	~10720 PCS
40HQ Capacity	~54130 PCS	~32140 PCS	~37690 PCS	~20740 PCS	~24170 PCS	~12570 PCS
45HQ Capacity	~62090 PCS	~32140 PCS	~43230 PCS	~23790 PCS	~27720 PCS	~14420 PCS

### ORDERING CODE DEFINITION

Company Code	Product	Shape Size		Watt	CCT
HY	SDL: Ultra-Slim Downlight	R3:Round 3"		6W	5CCT: 2700K/3000K/3500K/ 4000K/5000K
		R4:Round 4"	S4:Square 4"	9W	
		R6:Round 6"	S6:Square 6"	12W	
		R8:Round 8"		18W	

### SAFETY INSTRUCTION:



#### CAUTION:

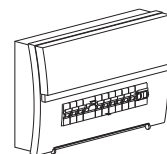
1. RISK OF FIRE OR ELECTRIC SHOCK: The electrical rating of this product 120V AC.
2. Danger-Risk Of Shock-Disconnect Power Before Installation
3. WARNING- To prevent wiring damage or abrasion, do not expose wiring to edges of sheet metal or other sharp objects.
4. Suitable For Damp Locations
5. This product must be installed in accordance with any applicable installation code(s) by a qualified electrician or person familiar with the construction and operation of the product and the hazards involved
6. This Device Is Not Intended For Use With Emergency Exit

### INSTALLATION PROCEDURE



#### WARNING:

1. Switch off before installation.
2. Switch on only after complete installation and examination of the circuit.



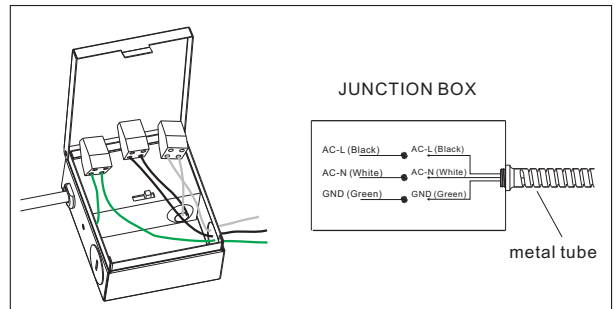
Turn off  
Power Supply

Zhejiang Hongyao Lighting Electrical Co., Ltd

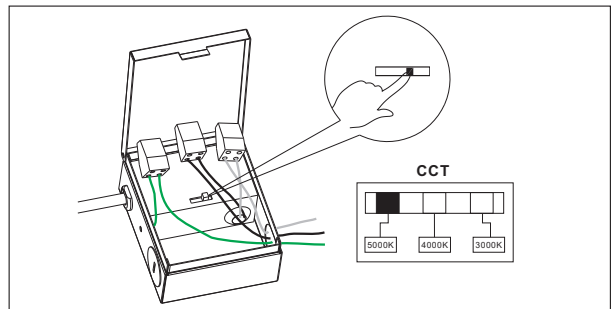
No.209 Shennan Rd. Da Yang Jie Dao, Linhai City. Zhejiang China 317000 www.chongyao.com  
Trading@chongyao.com Tel: +86 576-85381918 Fax:+86 576-85381913

**WIRING GUIDE**

1. Open the hardwire box swing cover and remove one of the knock out holes on the side of the electrical box, based on the installation position.
2. Feed the wires from the electrical source through the open knock out hole in the electrical box
3. Connect black wire to live wire, white wire to neutral wire, and green wire with ground (as shown) and secure using wago connector. Close the cover of the box.


**CCT Adjustable**




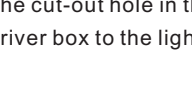
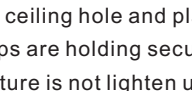

Select color and move the CCT switch. you can change the color temperature to: 2700k/3000k/3500k/4000k/5000k by the CCT switch (If CCT selectable applicable)


**INSTALLATION INSTRUCTION**
**Installation Preparation**

1. Locate a suitable position to plate the fixture and open in accordance to the cut-hole dimensions (refer to Hole Cut Table for appropriate size).
2. Run electrical wire from the switch (power supply) through the mounting hole- use NMD90 Romex or BX cable.

**Fixture Installation**

1. Positioning the electrical box: Holding the clips, and push the fixture thru the cut-out hole in the ceiling and position it where desired.
2. Connecting the electrical box to the LED Downlight: Connect the remote driver box to the light fixture and Twist the two parts of the connector in opposite directions to lock them together.
3. Push the spring clip on the fixture upward and push the fixture through the ceiling hole and place fixture in the hole. Release the clips and the fixture will be pulled flush to the ceiling, making sure the spring clips are holding securely
4. Turn on the power and make sure your fixture is working properly. If the fixture is not lightening up in 5 seconds, turn power off, carefully remove the module and double check all wiring and replace.

Ceiling	Hole Cut Size
	3" Round DOWNLIGHT: $\phi 3.15"$ (80mm)
	4" Round DOWNLIGHT: $\phi 4.33"$ (110mm)
	6" Round DOWNLIGHT: $\phi 6.29"$ (160mm)
	8" Round DOWNLIGHT: $\phi 8.15"$ (207mm)
	4" Square DOWNLIGHT: 3.94" X 3.94" (100 X 100mm)
	6" Square DOWNLIGHT: 5.51" X 5.51" (140 X 140mm)

